

4

3

2

1

D

D

C

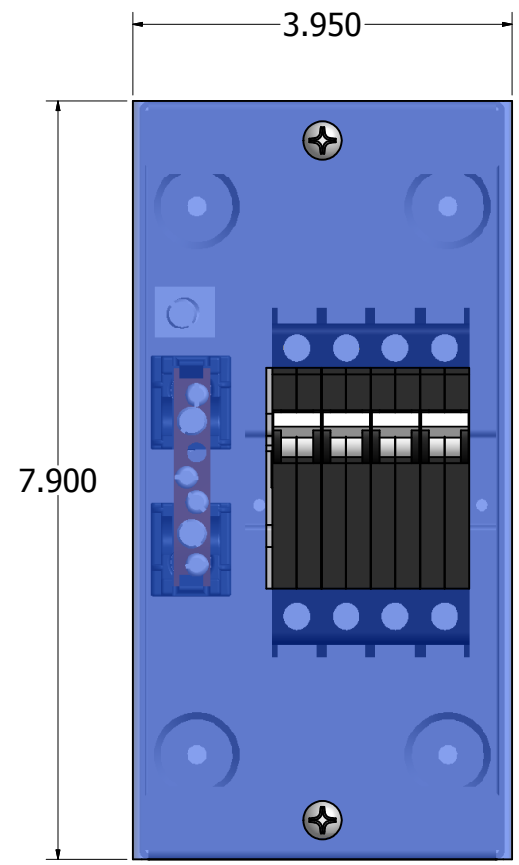
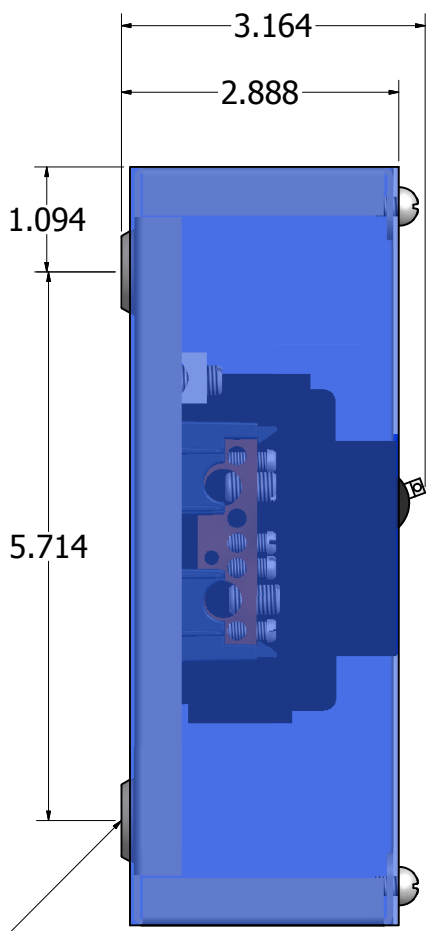
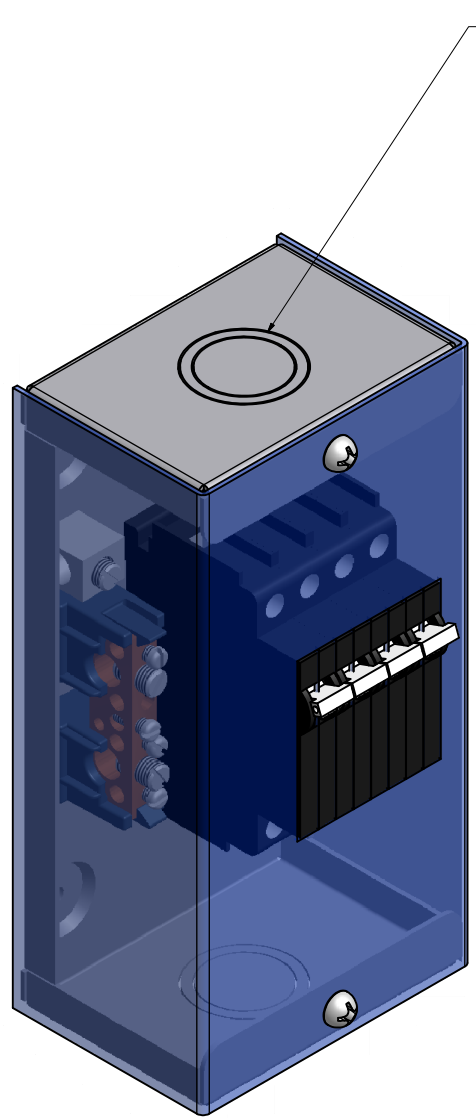
C

B

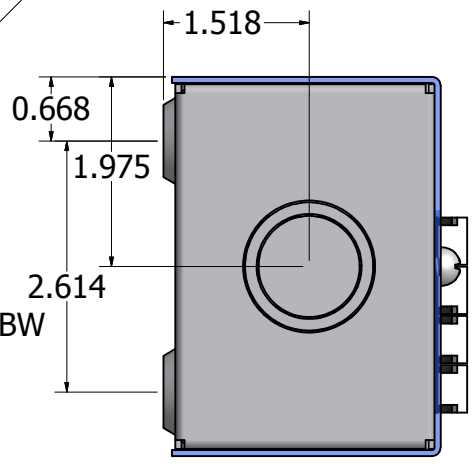
B

A

A



0.203 Dia holes 4X



- 1. Enclosure: 16 gauge steel, gray powdercoat
- 2. Dinrail supports up to 4 breakers (not included)
- 3. Insulated bus PN MNSBBR or MNSBBB or MNSBBW (Red, Black or White) not included
- 4. Ground terminal accepts up to 1/0 AWG

DRAWN Robin Gudgel	8/7/2008	MIDNITE SOLAR	
CHECKED		TITLE	
QA		BIG BABY BOX	
MFG		SIZE C	DWG NO Big baby
APPROVED		SCALE	REV New
		SHEET 1 OF 1	